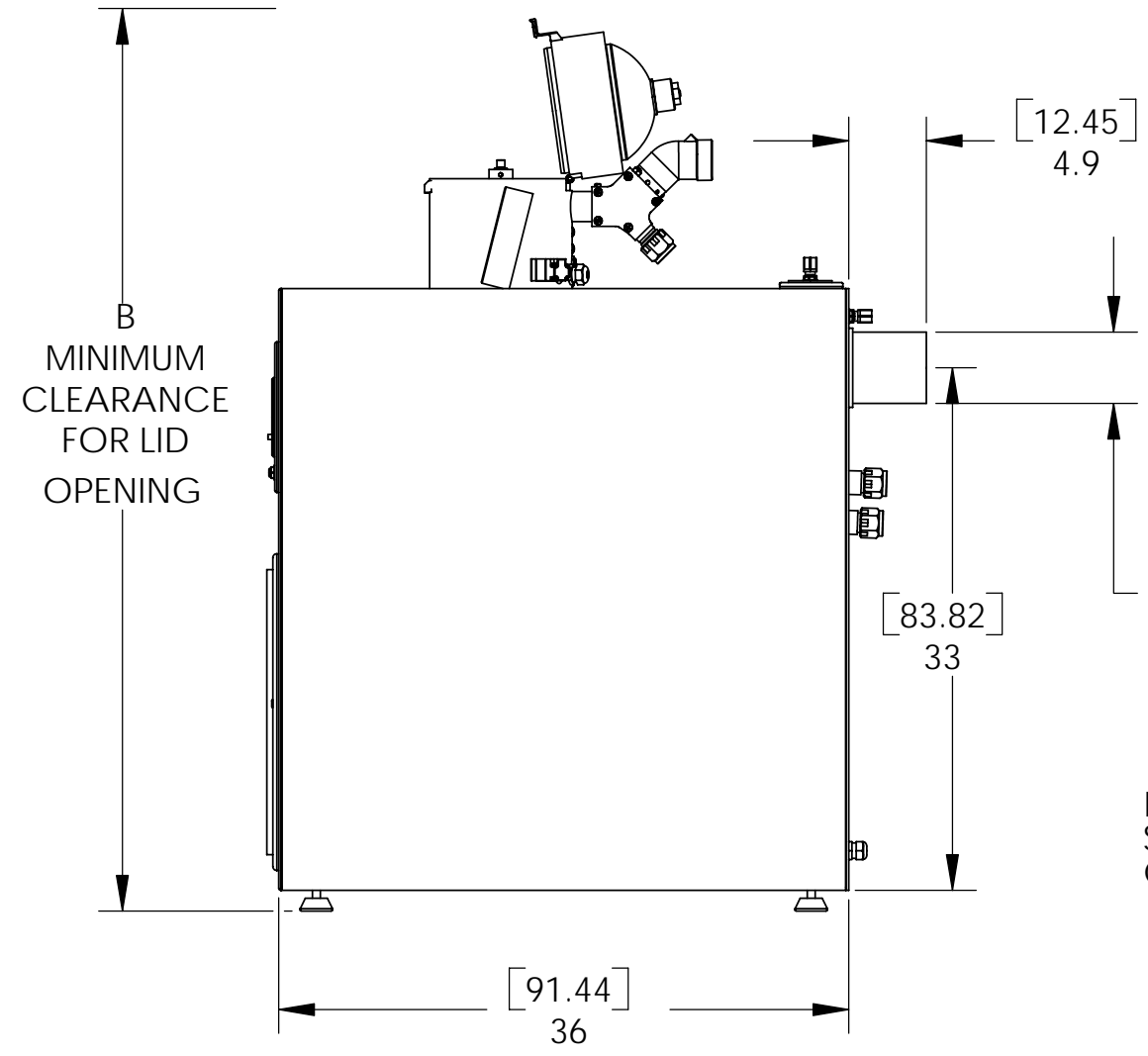
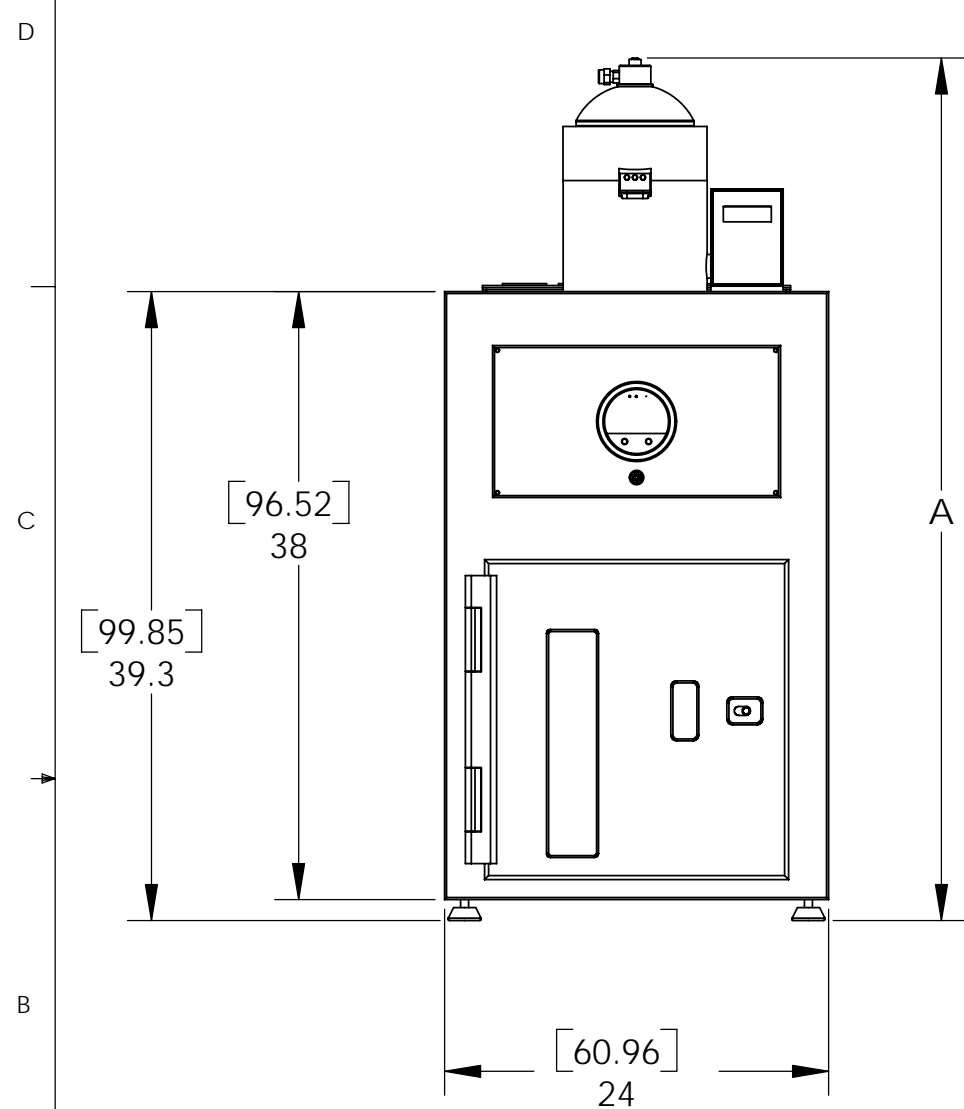


REVISIONS			
REV.	DESCRIPTION	BY	DATE
A	INITIAL RELEASE	JJ	11/10/2005



NOTE:
STATION HAS LEVELING FEET WHICH CAN
CHANGE OVERALL HEIGHT UP TO 2 1/2" [6.4cm]

	6 - FLAT TOP	6 - DOME TOP	8 - FLAT TOP	8 - DOME TOP	15 - FLAT TOP	15 - DOME TOP
A	49.62" [126.04cm]	53.90" [136.91cm]	50.26" [127.66cm]	54.32" [137.98cm]	50.26" [127.66cm]	57.52" [146.11cm]
B	57" [144.78cm]	57" [144.78cm]	59" [149.86cm]	59" [149.86cm]	62" [157.48cm]	62" [157.48cm]

UNITS ARE IN INCHES.
DIMENSIONS IN BRACKETS ARE IN CENTIMETERS.

NOTE: THESE DIMENSIONS MAY CHANGE WITHOUT NOTICE - IF CRITICAL,
PLEASE REQUEST THAT A REPRESENTATIVE SKETCH BE PART OF
YOUR PROPOSAL.

PROPRIETARY AND CONFIDENTIAL
THE INFORMATION CONTAINED IN THIS
DRAWING IS THE SOLE PROPERTY OF
LAURELL TECHNOLOGIES. ANY
REPRODUCTION IN PART OR AS A WHOLE
WITHOUT THE WRITTEN PERMISSION OF
LAURELL TECHNOLOGIES IS PROHIBITED.

UNLESS OTHERWISE SPECIFIED:		NAME	DATE		
DIMENSIONS ARE IN INCHES TOLERANCES: FRACTIONAL ±.015 ANGULAR: MACH ± 1/2° TWO PLACE DECIMAL ±.01 THREE PLACE DECIMAL ±.005		DRAWN	JJ		11/10/05
INTERPRET GEOMETRIC TOLERANCING PER:		CHECKED			
MATERIAL		ENG APPR.			
FINISH		MFG APPR.			
NEXT ASSY	USED ON	Q.A.			
APPLICATION		COMMENTS: ALL PARTS MUST BE CLEAN AND FREE OF BURRS. BREAK ALL SHARP EDGES, .015" RADIUS MAX.		TITLE: WS-1000M STATION BASE	
DO NOT SCALE DRAWING		SIZE	DWG. NO.	REV	
		B	10070135	A	
		SCALE: 1:24 WEIGHT:		SHEET 1 OF 2	

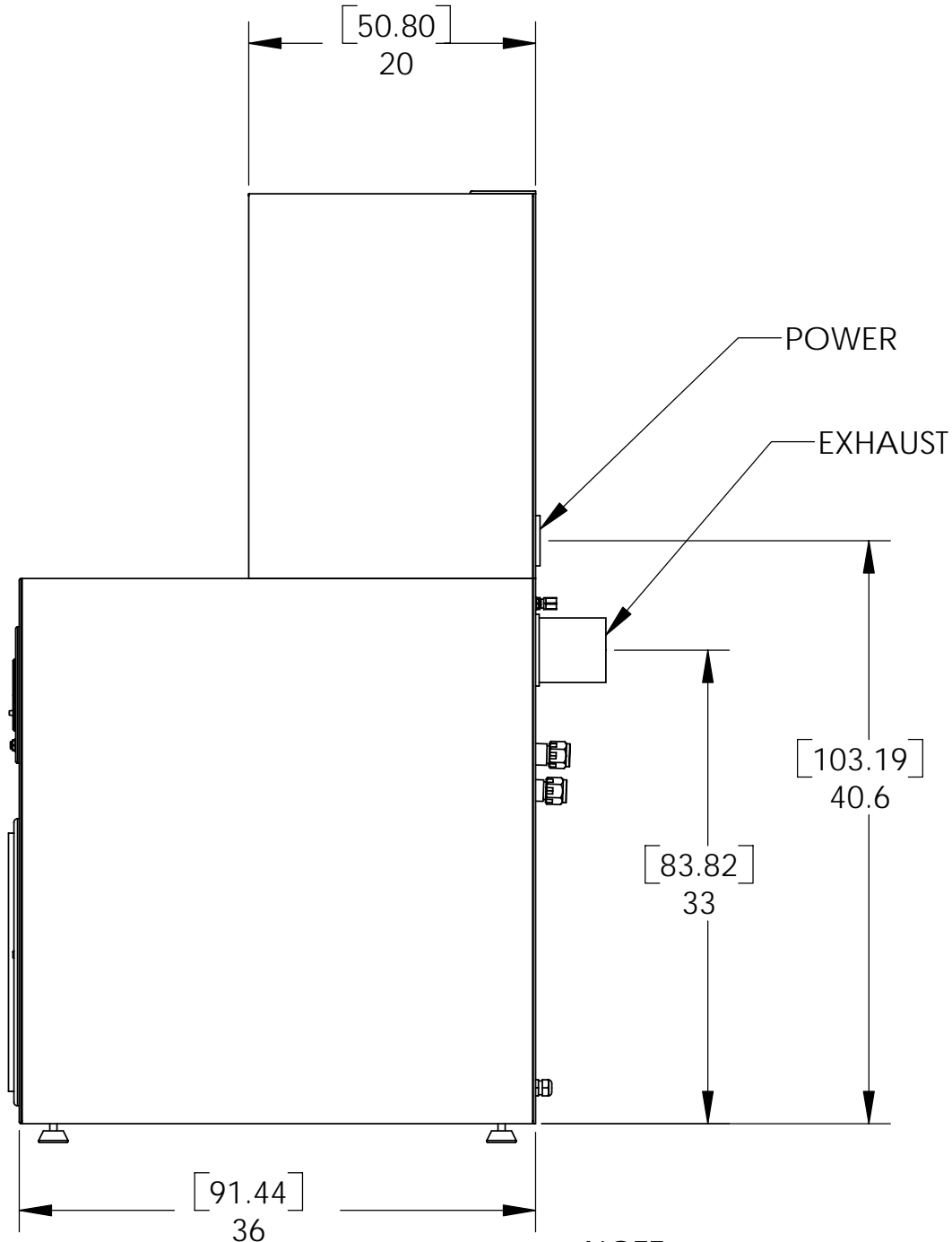
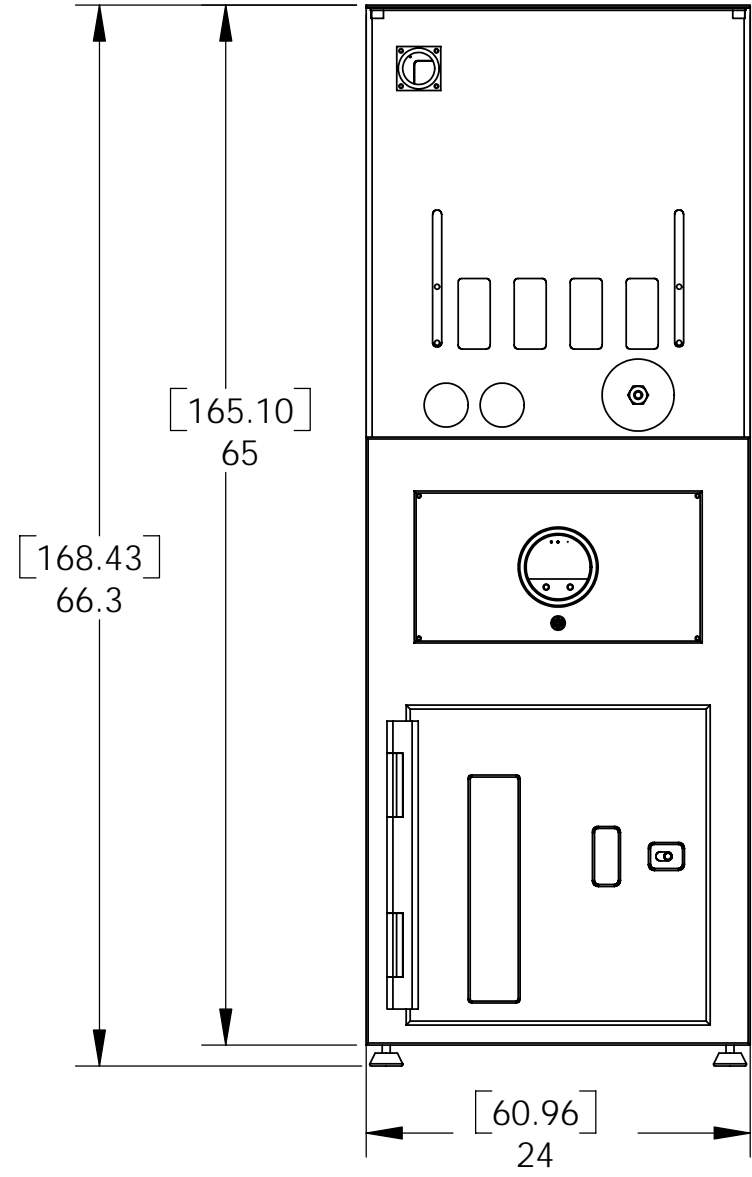
8 7 6 5 4 3 2 1

D

C

B

A



POWER
EXHAUST

NOTE:
STATION HAS LEVELING FEET WHICH CAN
CHANGE OVERALL HEIGHT UP TO 2 1/2" [6.4cm]

UNITS ARE IN INCHES
DIMENSIONS IN BRACKETS ARE IN CENTIMETERS

NOTE: THESE DIMENSIONS MAY CHANGE WITHOUT NOTICE - IF CRITICAL,
PLEASE REQUEST THAT A REPRESENTATIVE SKETCH BE PART OF
YOUR PROPOSAL.

PROPRIETARY AND CONFIDENTIAL
THE INFORMATION CONTAINED IN THIS
DRAWING IS THE SOLE PROPERTY OF
LAURELL TECHNOLOGIES. ANY
REPRODUCTION IN PART OR AS A WHOLE
WITHOUT THE WRITTEN PERMISSION OF
LAURELL TECHNOLOGIES IS PROHIBITED.

		UNLESS OTHERWISE SPECIFIED:		NAME	DATE		
		DIMENSIONS ARE IN INCHES TOLERANCES: FRACTIONAL ± .015 ANGULAR: MACH ± 1/2° TWO PLACE DECIMAL ± .01 THREE PLACE DECIMAL ± .005		DRAWN	JJ		
		INTERPRET GEOMETRIC TOLERANCING PER:		CHECKED			TITLE: WS-1000M STATION W/EXHAUSTED HOOD
		MATERIAL		ENG APPR.			
		FINISH		MFG APPR.			
NEXT ASSY	USED ON			Q.A.			SIZE B DWG. NO. 10070135 REV A
APPLICATION		DO NOT SCALE DRAWING		COMMENTS:			
				ALL PARTS MUST BE CLEAN AND FREE OF BURRS. BREAK ALL SHARP EDGES, .015" RADIUS MAX.			SCALE: 1:24 WEIGHT: SHEET 2 OF 2

8 7 6 5 4 3 2 1