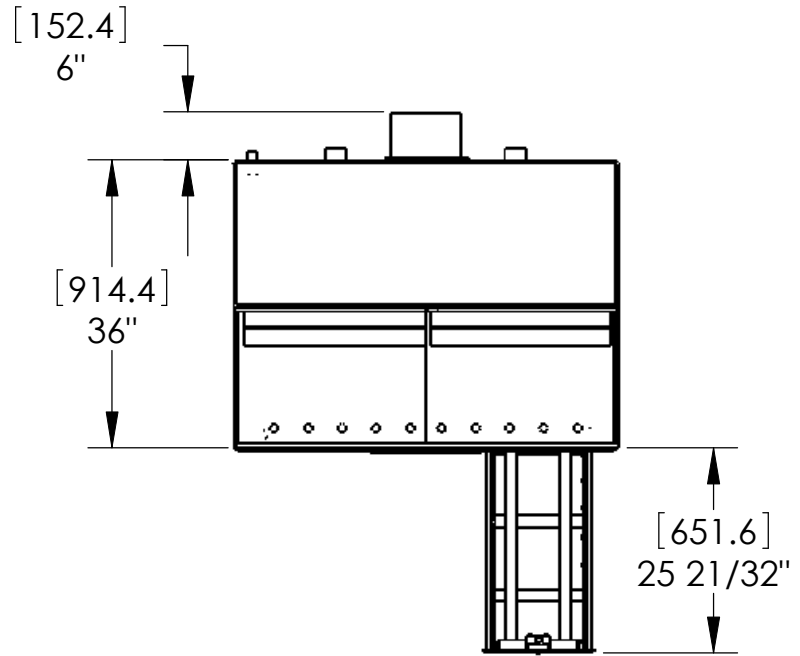
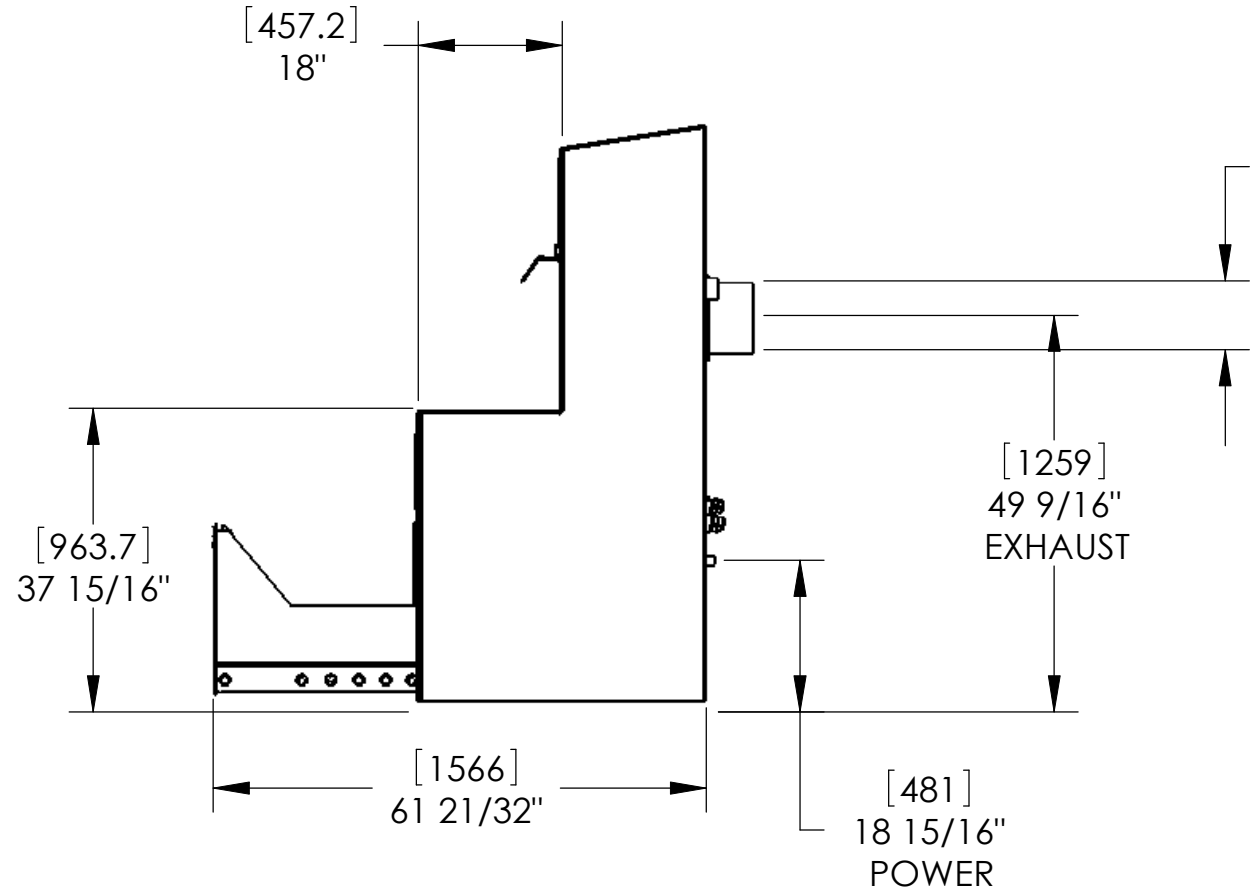
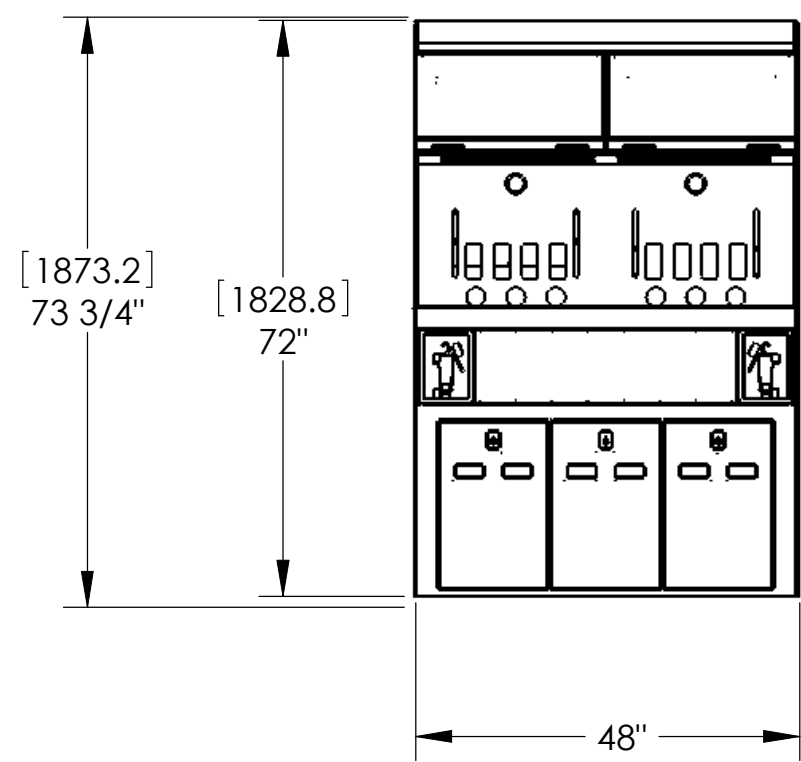


REVISIONS			
REV.	DESCRIPTION	BY	DATE
A	INITIAL RELEASE	JJ	7/22/2005



NOTE:  
STATION HAS LEVELING FEET WHICH CAN  
CHANGE OVERALL HEIGHT UP TO 4" [10.2cm]



UNITS ARE IN INCHES  
DUAL DIMENSIONS ARE IN CENTIMETERS

**PROPRIETARY AND CONFIDENTIAL**  
THE INFORMATION CONTAINED IN THIS  
DRAWING IS THE SOLE PROPERTY OF  
LAURELL TECHNOLOGIES. ANY  
REPRODUCTION IN PART OR AS A WHOLE  
WITHOUT THE WRITTEN PERMISSION OF  
LAURELL TECHNOLOGIES IS PROHIBITED.

UNLESS OTHERWISE SPECIFIED:		NAME	DATE		
DIMENSIONS ARE IN INCHES		DRAWN	JJ		<b>TITLE:</b> <b>INFORMATION DRAWING,          STATION OVERALL          DIMENSIONS, WS-1000</b>
TOLERANCES:		CHECKED			
FRACTIONAL ±.015		ENG APPR.			
ANGULAR: MACH ± 1/2°		MFG APPR.			
TWO PLACE DECIMAL ±.01		Q.A.			
THREE PLACE DECIMAL ±.005		COMMENTS:		<b>SIZE</b> <b>DWG. NO.</b> <b>REV</b> <b>B</b> <b>10070126</b> <b>B</b>	
INTERPRET GEOMETRIC TOLERANCING PER:		ALL PARTS MUST BE CLEAN AND FREE OF BURRS. BREAK ALL SHARP EDGES, .015" RADIUS MAX.			
MATERIAL		SCALE: 1:24 WEIGHT: SHEET 1 OF 1			
NEXT ASSY	USED ON	FINISH			
APPLICATION		DO NOT SCALE DRAWING			