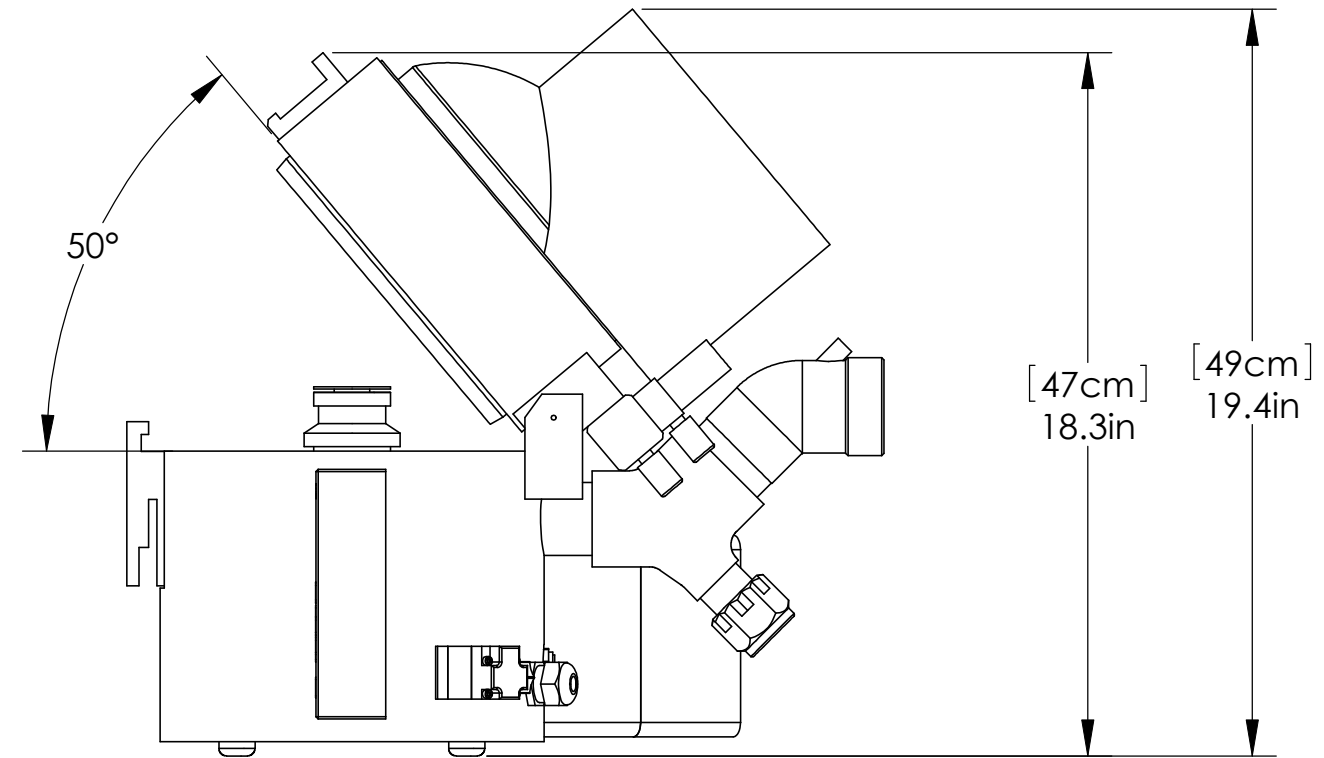
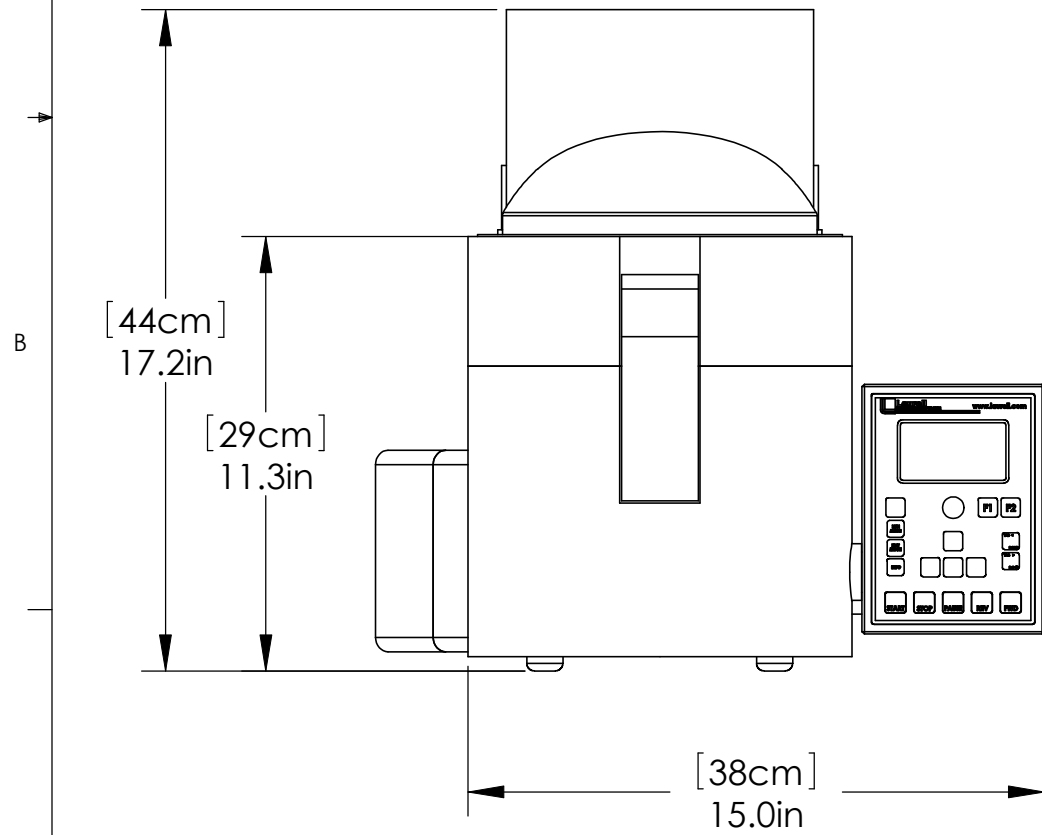
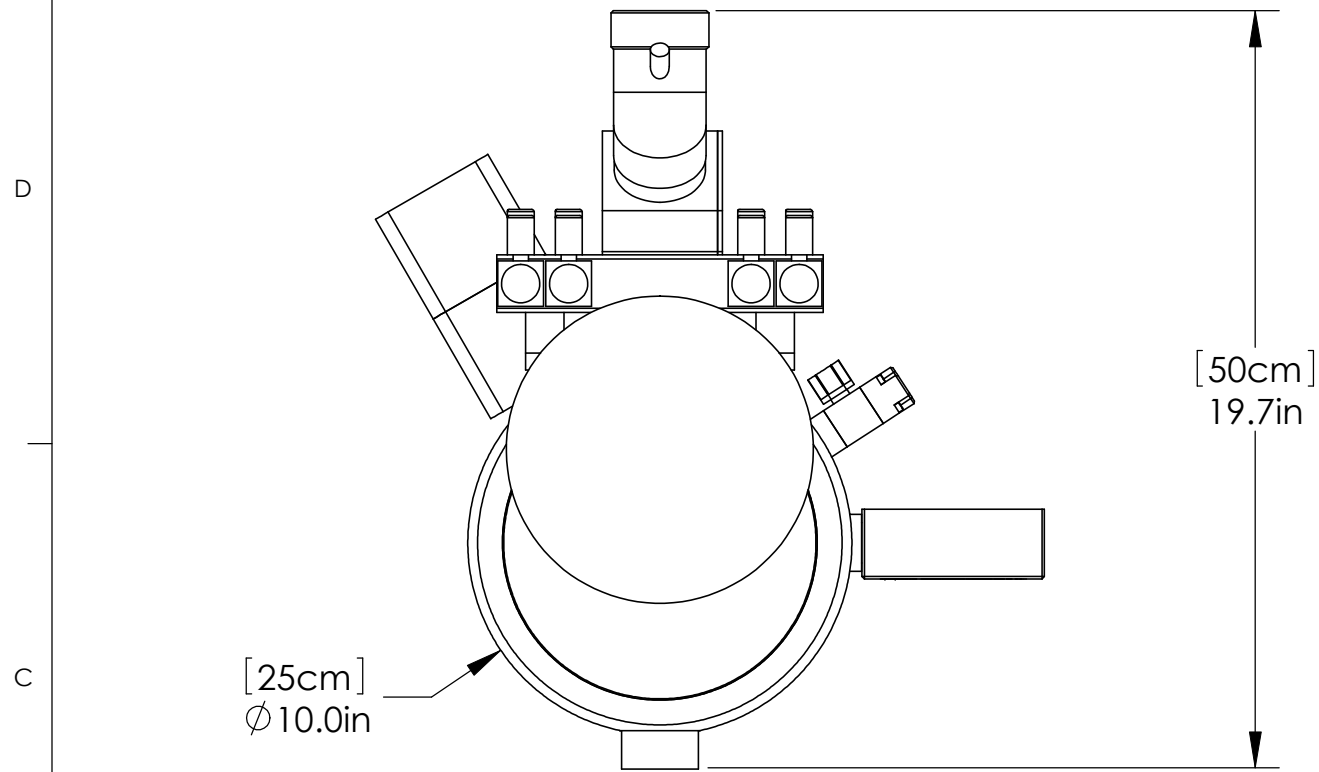


REVISIONS			
REV.	DESCRIPTION	BY	DATE
A	INITIAL RELEASE	JJ	9/29/2010

QUICK REFERENCE			
CONTROLLER	CASE SIZE	MOUNTING	VERSION
650	23	DESKTOP	EDC



PROPRIETARY AND CONFIDENTIAL
THE INFORMATION CONTAINED IN THIS DRAWING IS THE SOLE PROPERTY OF LAURELL TECHNOLOGIES. ANY REPRODUCTION IN PART OR AS A WHOLE WITHOUT THE WRITTEN PERMISSION OF LAURELL TECHNOLOGIES IS PROHIBITED.

		UNLESS OTHERWISE SPECIFIED:	NAME	DATE		
		DIMENSIONS ARE IN INCHES	DRAWN	JJ		9/29/10
		TOLERANCES:	CHECKED			
		FRACTIONAL: ±.015	ENG APPR.			
		ANGULAR: MACH ± 1/2°	MFG APPR.			
		TWO PLACE DECIMAL ±.01	Q.A.			
		THREE PLACE DECIMAL ±.005	COMMENTS:	ALL PARTS MUST BE CLEAN AND FREE OF BURRS. BREAK ALL SHARP EDGES, .015" RADIUS MAX.		
		INTERPRET GEOMETRIC TOLERANCING PER:				
		MATERIAL				
NEXT ASSY	USED ON	FINISH				
APPLICATION		DO NOT SCALE DRAWING				
			TITLE: DIMENSIONAL DRAWING, EDC-650-23NPP			
			SIZE B	DWG. NO. 10077351	REV A	
			SCALE: 1:8	WEIGHT:	SHEET 1 OF 1	