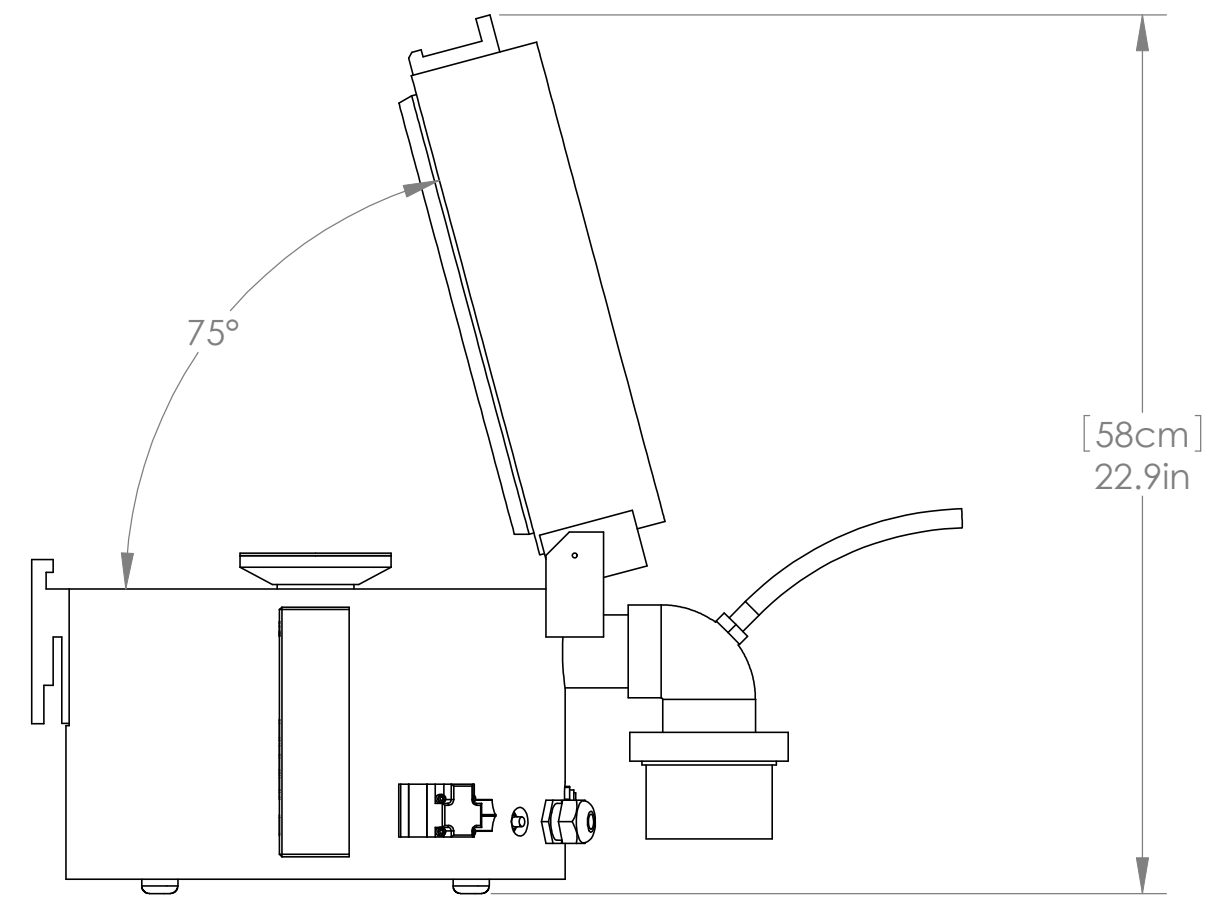
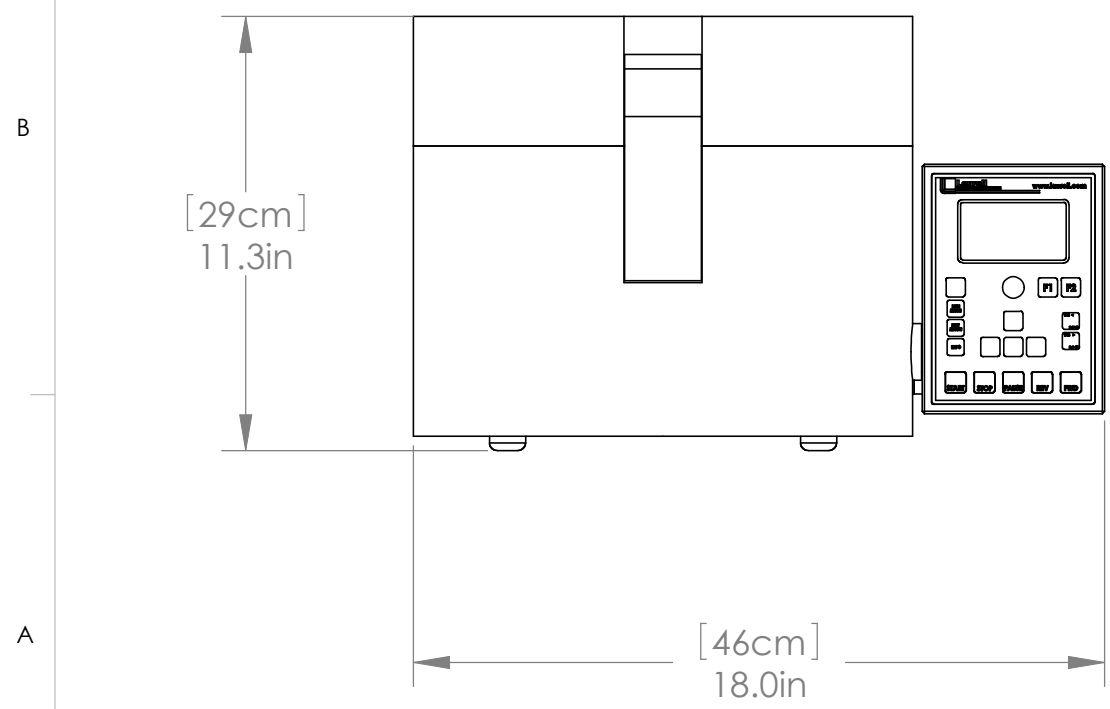
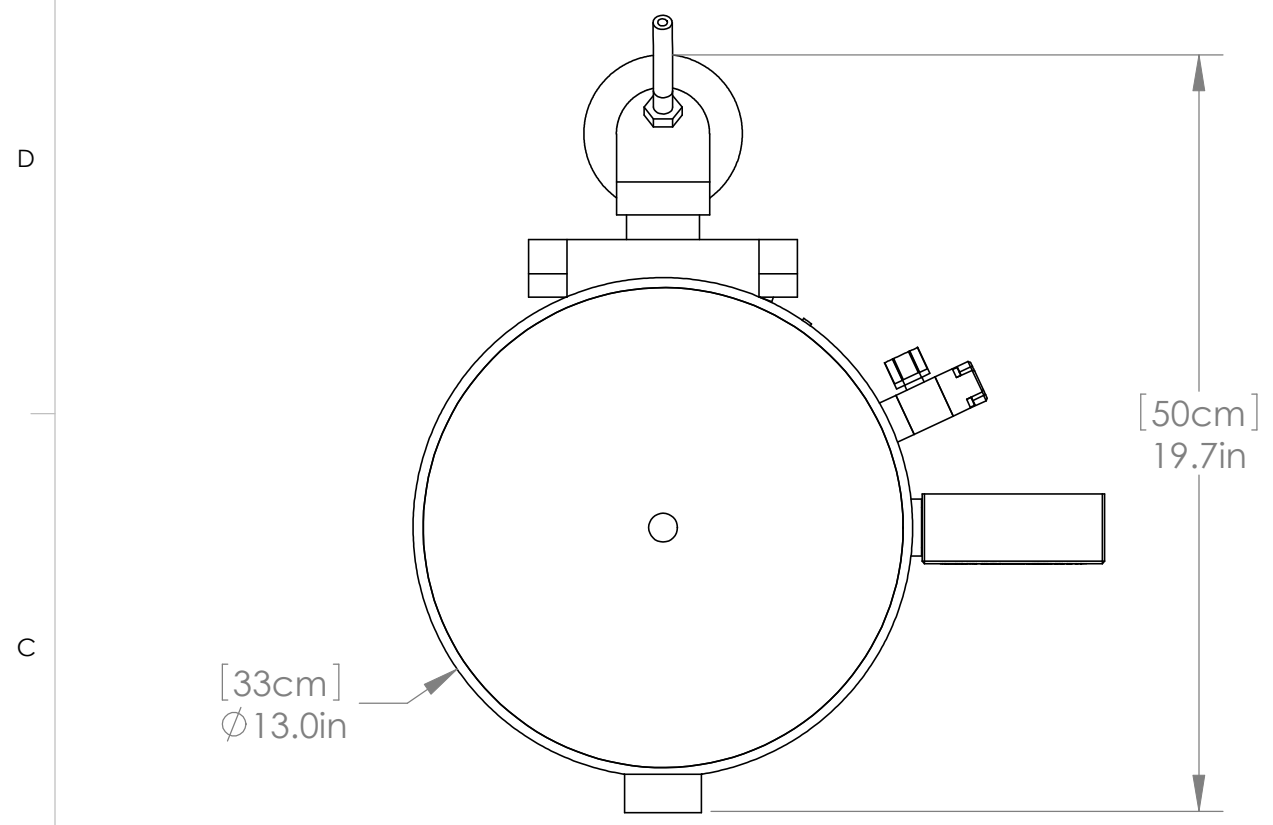


REVISIONS			
REV.	DESCRIPTION	BY	DATE
A	INITIAL RELEASE	JJ	9/29/2010

QUICK REFERENCE			
CONTROLLER	CASE SIZE	MOUNTING	VERSION
650	8	DESKTOP	LITE



PROPRIETARY AND CONFIDENTIAL
 THE INFORMATION CONTAINED IN THIS DRAWING IS THE SOLE PROPERTY OF LAURELL TECHNOLOGIES. ANY REPRODUCTION IN PART OR AS A WHOLE WITHOUT THE WRITTEN PERMISSION OF LAURELL TECHNOLOGIES IS PROHIBITED.

		UNLESS OTHERWISE SPECIFIED:		NAME		DATE	
		DIMENSIONS ARE IN INCHES		DRAWN		JJ	
		TOLERANCES:		CHECKED			
		FRACTIONAL \pm .015		ENG APPR.			
		ANGULAR: MACH \pm 1/2°		MFG APPR.			
		TWO PLACE DECIMAL \pm .01		Q.A.			
		THREE PLACE DECIMAL \pm .005		COMMENTS:			
		INTERPRET GEOMETRIC TOLERANCING PER:		ALL PARTS MUST BE CLEAN AND FREE OF BURRS. BREAK ALL SHARP EDGES, .015" RADIUS MAX.			
		MATERIAL					
		FINISH					
NEXT ASSY	USED ON	APPLICATION		SCALE: 1:8		WEIGHT:	
		DO NOT SCALE DRAWING		SHEET 1 OF 1			

Laurell
 TECHNOLOGIES CORPORATION

TITLE: **DIMENSIONAL DRAWING, WS-650-8NPP LITE**

SIZE **B** DWG. NO. **10077801** REV **A**