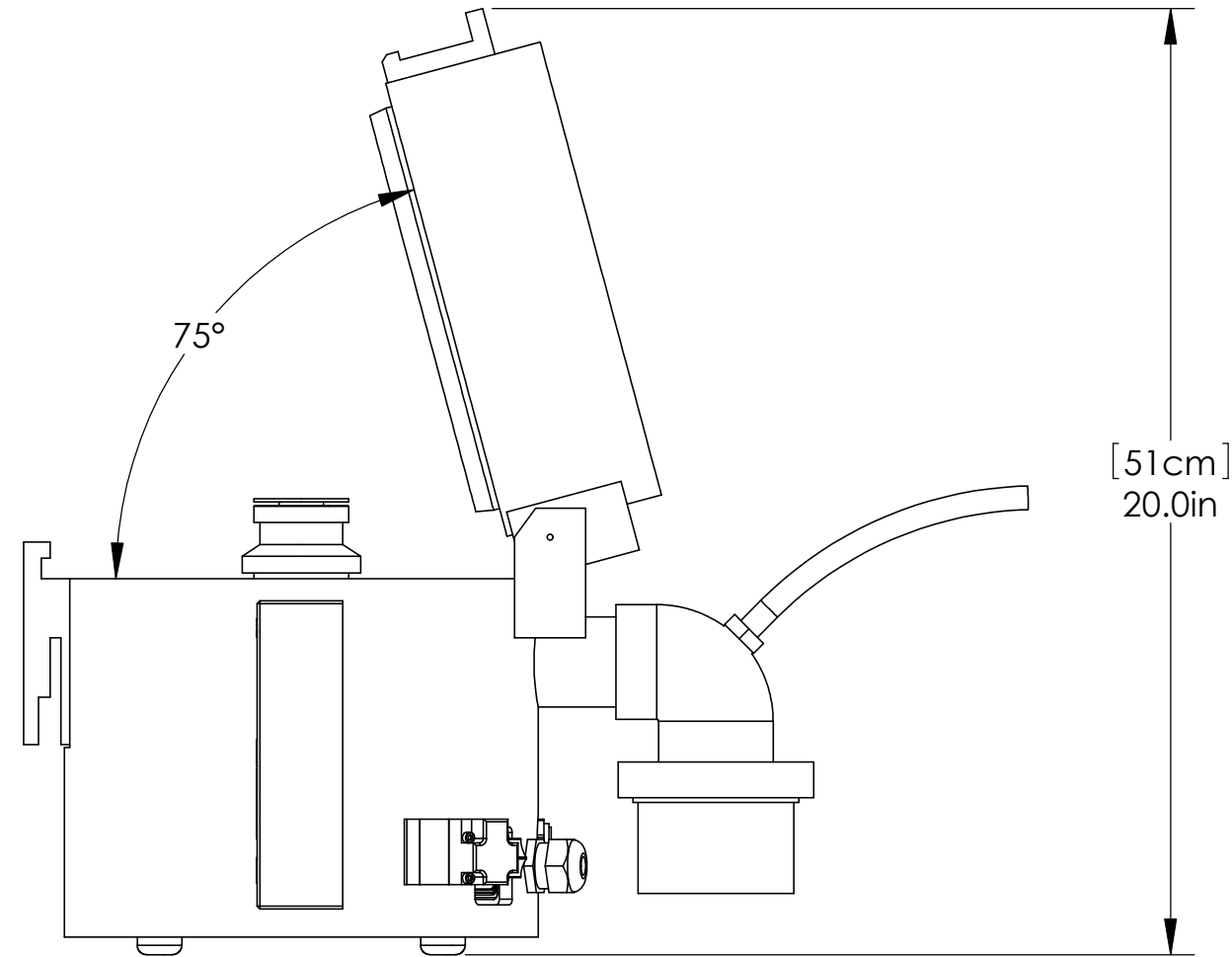
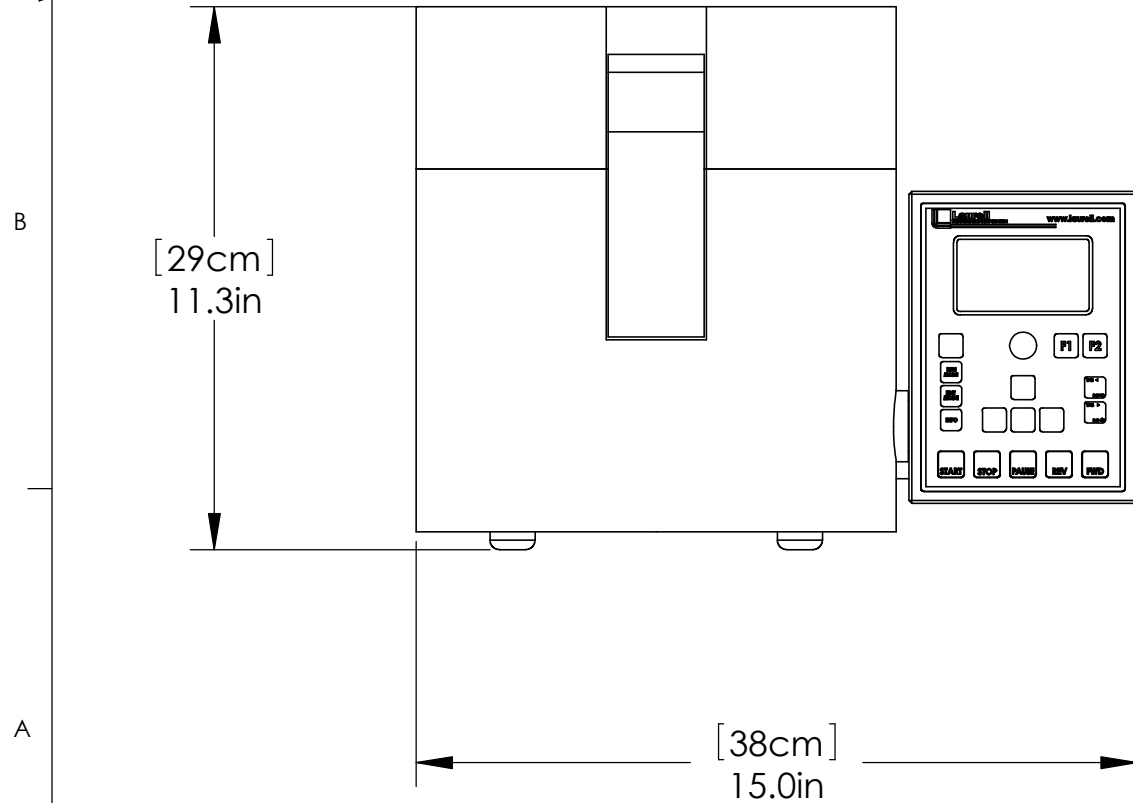
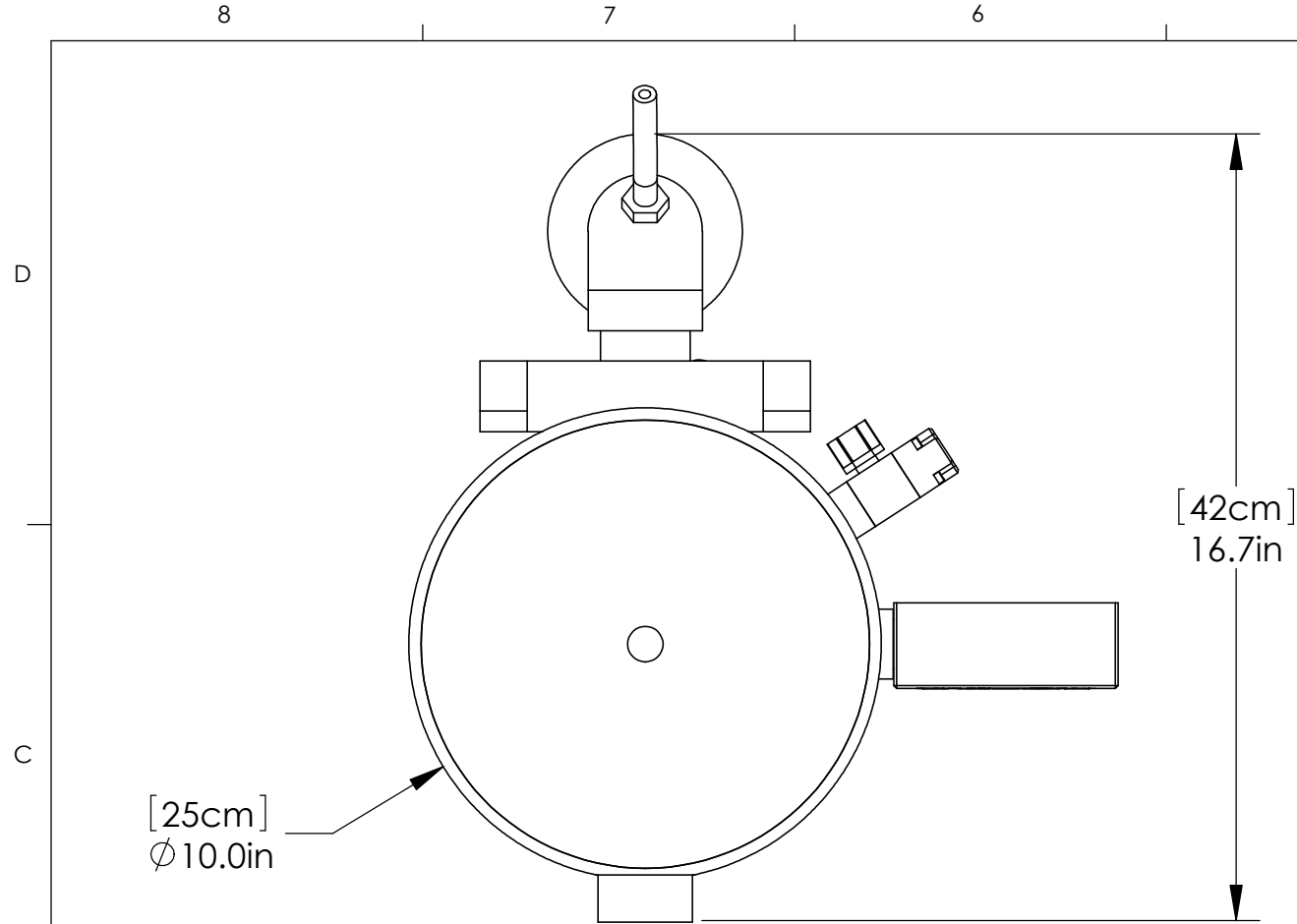


REVISIONS			
REV.	DESCRIPTION	BY	DATE
A	INITIAL RELEASE	JJ	9/29/2010

QUICK REFERENCE			
CONTROLLER	CASE SIZE	MOUNTING	VERSION
650	23	DESKTOP	



PROPRIETARY AND CONFIDENTIAL
 THE INFORMATION CONTAINED IN THIS DRAWING IS THE SOLE PROPERTY OF LAURELL TECHNOLOGIES. ANY REPRODUCTION IN PART OR AS A WHOLE WITHOUT THE WRITTEN PERMISSION OF LAURELL TECHNOLOGIES IS PROHIBITED.

		UNLESS OTHERWISE SPECIFIED:		NAME		DATE	
		DIMENSIONS ARE IN INCHES		DRAWN		JJ	
		TOLERANCES:		CHECKED			
		FRACTIONAL ±.015		ENG APPR.			
		ANGULAR: MACH ± 1/2°		MFG APPR.			
		TWO PLACE DECIMAL ±.01		Q.A.			
		THREE PLACE DECIMAL ±.005		COMMENTS:			
		INTERPRET GEOMETRIC TOLERANCING PER:		ALL PARTS MUST BE CLEAN AND FREE OF BURRS. BREAK ALL SHARP EDGES, .015" RADIUS MAX.		TITLE:	
		MATERIAL				Laurell TECHNOLOGIES CORPORATION	
		FINISH				DIMENSIONAL DRAWING, WS-650-23NPP	
NEXT ASSY	USED ON	DO NOT SCALE DRAWING		SIZE	DWG. NO.	REV	
APPLICATION				B	10077301	A	
				SCALE: 1:8	WEIGHT:	SHEET 1 OF 1	